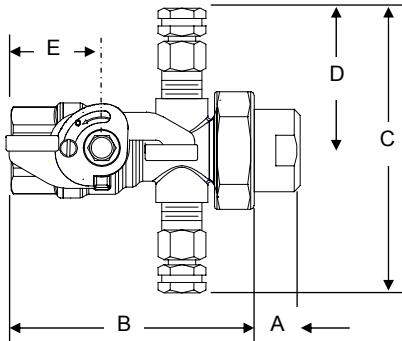
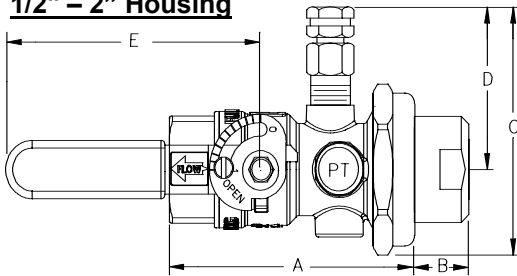


1/2" & 3/4" SpaceSaver Housing



1/2" - 2" Housing



FLOW RATES (+/-3%)

OUTLET SIZE	MODEL NO.	FLOW GPM <sup>(2)</sup> AT 4 FT/SEC	Cv <sup>(3)</sup>	GPM RANGE FOR 5"-100" W.C. ΔP (SET W/100" GAUGE)	GPM RANGE FOR 5"-300" W.C. ΔP (SET W/300" GAUGE)
1/2"SS, 3/4"SS	3Q0	3.8	0.34	0.13 - 0.57	0.13 - 1.0
			0.7	0.3 - 1.2	0.3 - 2.2
			1.6	0.6 - 2.8	0.6 - 4.9
			3.8	1.2 - 5.3	1.2 - 9.2
1/2"	3Q1	3.8	0.37	0.15 - 0.66	0.15 - 1.2
			0.8	0.3 - 1.4	0.3 - 2.5
			1.7	0.6 - 2.8	0.6 - 4.9
			3.5	1.25 - 5.7	1.3 - 9.8
3/4"	3Q2	6.7	0.8	0.3 - 1.4	0.3 - 2.5
			1.7	0.6 - 2.8	0.6 - 4.9
			3.5	1.25 - 5.7	1.3 - 9.8
			7.5	2.5 - 11.4	2.5 - 19.7
1"	3Q3	10.8	1.6	0.6 - 2.8	0.6 - 4.9
			3.3	1.25 - 5.7	1.3 - 9.8
			7.0	2.5 - 11.4	2.5 - 19.7
			11.4	4.0 - 18.0	4.0 - 31.3
1-1/4"	3Q4	18.7	9.0	3.4 - 15.0	3.4 - 26.3
			19.8	6.8 - 30.4	6.8 - 52.6
1-1/2"	3Q5	25.4	19.2	6.8 - 30.4	6.8 - 52.6
			36.0	12.3 - 55.0	12.3 - 95.4
			45.0 <sup>4</sup>	12.3 - 55.0	12.3 - 95.4
2"	3Q6	41.9	61.0	20.3 - 91.2	20.3 - 157.9
			75.0 <sup>4</sup>	20.3 - 91.2	20.3 - 157.9

SPECIFICATIONS

- PSI/Temperature Rating:** 600 WOG (400 PSI / 250°F)
- Flow Elements:** Venturi: Brass, Optimizer: Polymer
- Body Material:** Forged Brass ASTM B283
- End Connections:** Brass
- Ball Valve Seals:** Teflon
- Union Seal:** EPDM O-ring
- Ball Valve:** Nickel-plated brass ball, full port
- Body Tappings:** 1/4" NPT with P/T test valves
- Handle:** Memory Stop with graduated markings
- Assembly:** Valve comes fully assembled.
- Installation:** Straight sections of piping upstream and downstream of the QuickSet aren't necessary for proper operation.
- Options:** Manual air vent, drain valve and handle extension<sup>1</sup>

NOTES

<sup>1</sup> Options available only on Standard QuickSet product, not on Space Saver.  
<sup>2</sup> The generally accepted upper limit as recommended by ASHRAE to prevent pipe noise is 4 ft/sec.  
<sup>3</sup> Cv's are used to calculate the permanent pressure drop.  $PSID=(Flow/Cv)^2$ . Use the Flow Curve for flow measurement.  
<sup>4</sup> Ball without Optimizer insert.

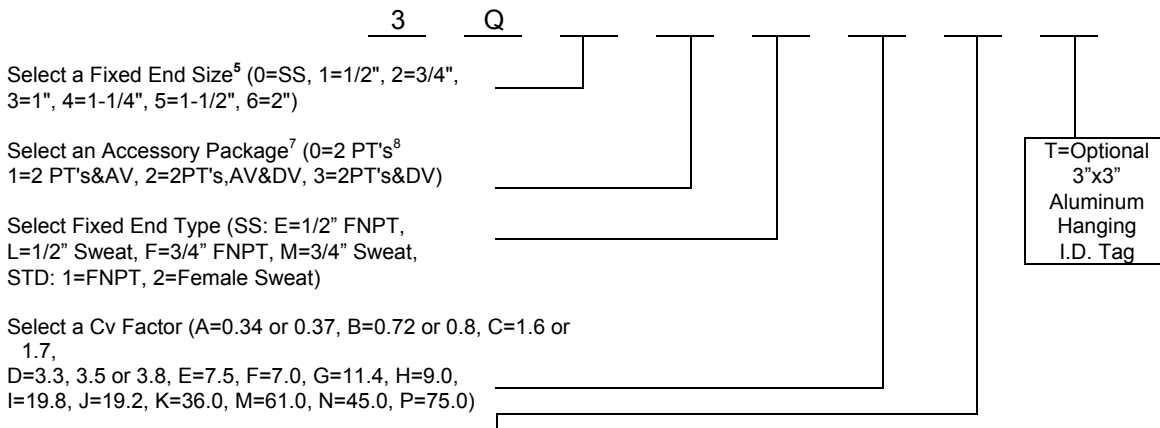
Replaces form F-4006G and F-4326C

This specification © 2005 Griswold Controls

**DIMENSIONS & WEIGHTS (NOMINAL)**

SIZE	NOMINAL END CONNECTIONS (INCHES)					C	D	E	WEIGHT (LBS.)
	A		B						
	OUTLET CONNECTION <sup>5</sup>		INLET CONNECTION <sup>5</sup>						
SWT <sup>5</sup>	FNPT <sup>5</sup>	FNPT <sup>5</sup>	MNPT <sup>5</sup>	SWT <sup>5</sup>					
1/2"SS	3.20	3.20	0.80	0.80	0.60	3.50	1.90	1.20	1.0
3/4"SS	3.20	3.20	0.80	1.00	0.90	3.50	1.90	1.20	1.0
1/2"	3.02	3.03	0.88	1.00	0.60	3.08	1.80	3.60	1.2
3/4"	3.34	3.22	0.88	1.00	1.13	3.20	1.92	3.60	1.2
1"	3.76	3.56	2.00	1.32	1.25	3.17	2.07	4.92	1.7
1-1/4"	4.66	4.31	1.38	1.58	1.38	3.45	2.29	4.92	3.7
1-1/2"	5.13	4.70	1.38	1.58	1.44	3.95	2.85	5.51	4.7
2"	6.00	5.40	2.50	1.58	1.58	4.50	3.15	5.51	7.2

**MODEL NUMBER SELECTION<sup>6</sup>**



Select a Fixed End Size<sup>5</sup> (0=SS, 1=1/2", 2=3/4", 3=1", 4=1-1/4", 5=1-1/2", 6=2")

Select an Accessory Package<sup>7</sup> (0=2 PT's<sup>8</sup>, 1=2 PT's&AV, 2=2PT's,AV&DV, 3=2PT's&DV)

Select Fixed End Type (SS: E=1/2" FNPT, L=1/2" Sweat, F=3/4" FNPT, M=3/4" Sweat, STD: 1=FNPT, 2=Female Sweat)

Select a Cv Factor (A=0.34 or 0.37, B=0.72 or 0.8, C=1.6 or 1.7, D=3.3, 3.5 or 3.8, E=7.5, F=7.0, G=11.4, H=9.0, I=19.8, J=19.2, K=36.0, M=61.0, N=45.0, P=75.0)

T=Optional  
3"x3"  
Aluminum  
Hanging  
I.D. Tag

Valve <sup>5</sup>	Female Threaded <sup>5</sup>	Female Sweat <sup>5</sup>	Male Threaded <sup>5</sup>
3Q0	1/2"=E, 3/4"=F <sup>9</sup>	1/2"=L, 3/4"=M	1/2"=H, 3/4"=I
3Q1 to 3Q3	1/2"=E, 3/4"=F, 1"=G <sup>9</sup>	1/2"=L, 3/4"=M, 1"=N	1/2"=H, 3/4"=I, 1"=J
3Q4 to 3Q5	1"=G, 1-1/4"=P, 1-1/2"=Q	1"=N, 1-1/4"=K, 1-1/2"=W	1/2"=H, 3/4"=I, 1"=J, 1-1/4"=S, 1-1/2"=T
3Q6	1-1/4"=P, 1-1/2"=Q, 2"=R <sup>9</sup>	1-1/4"=K, 1-1/2"=W, 2"=Y	1-1/4"=S, 1-1/2"=T, 2"=U

**OPTIONS**

- Model 3Q1 to 3Q2: 1-1/4" Handle Extension and two 1/4" by 1-1/4" extensions (Part Number 9666-60)  
1-1/4" Handle Extension and three 1/4" by 1-1/4" extensions (Part Number 9666-61)  
1-1/4" Handle Extension and four 1/4" by 1-1/4" extensions (Part Number 9667-60)
- Model 3Q3 to 3Q4: 1-1/4" Handle Extension and two 1/4" by 1-1/4" extensions (Part Number 9666-62)  
1-1/4" Handle Extension and three 1/4" by 1-1/4" extensions (Part Number 9666-63)  
1-1/4" Handle Extension and four 1/4" by 1-1/4" extensions (Part Number 9667-61)
- Model 3Q5 to 3Q6: 1-1/4" Handle Extension and two 1/4" by 1-1/4" extensions (Part Number 9666-64)  
1-1/4" Handle Extension and three 1/4" by 1-1/4" extensions (Part Number 9666-65)  
1-1/4" Handle Extension and four 1/4" by 1-1/4" extensions (Part Number 9667-62)

**NOTES**

<sup>5</sup> We recommend downsizing from Quickset components to ATC Valves not exceed one (1) pipe size.

<sup>6</sup> Model no. and flow rate are indicated on label affixed to body.

<sup>7</sup> PT=Pressure Temperature Test Valve, AV=Manual Air Vent, DV=Drain Valve with hose bib adapter and cap.

<sup>8</sup> Select accessory package "0" for SpaceSaver valves. Other accessory packages are not available.

<sup>9</sup> Tailpiece not available, threaded tailpiece used with an adapter.

Replaces form F-4006G and F-4326C

This specification © 2005 Griswold Controls