

SPECIFICATIONS:

PSI/Temperature Rating

Metering Station:
QuickSet:

400 PSI/250° F
175 PSI (14"-18": 150 PSI)¹/250° F

Low Loss Venturi:

Carbon Steel with Piezo-Ring to average low signal pickup.

Body Material:

Carbon Steel SA-53 Grade B

Butterfly Valve²:

Bronze disk, 400 series S.S. stem

End Connections:

Grooved End

Body Tappings:

1/4" NPT with Brass P/T test valves

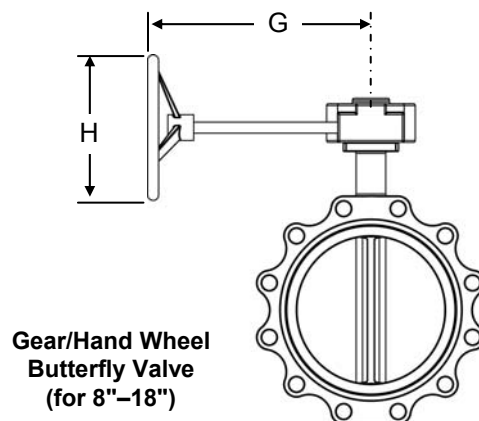
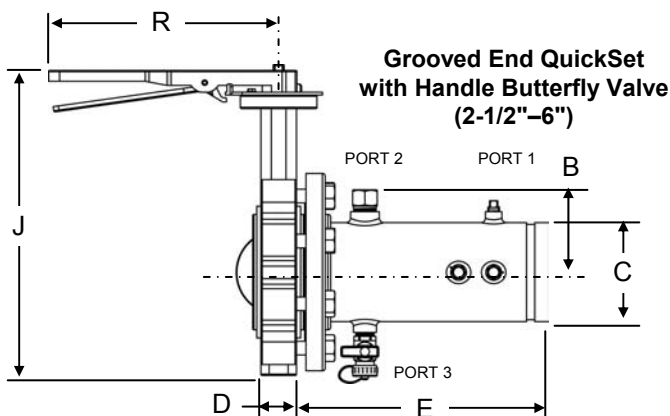
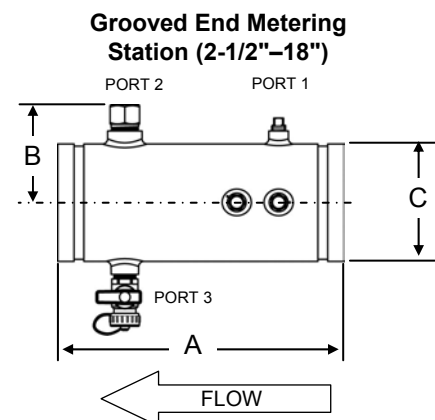
Accessory Ports:

Port 1: 1/4" NPT for Air Vent
Port 2: 3/4" NPT for Thermowell
Port 3: 1/2" NPT for Drain Valve
Valve comes fully assembled.

Assembly:

No straight-run is necessary for normal operation. Consult chart (F-4439) for exact Flow Constant and Permanent Pressure Drop calculations.

Installation:



FLOW RATES (+/-1%³)

LINE SIZE	MODEL NO.	Metering Station Cv ⁴	QuickSet Cv ⁴	GPM RANGE FOR 20"-100" W.C. ΔP (SET W/100" GAUGE)	GPM RANGE FOR 20"-300" W.C. ΔP (SET W/300" GAUGE)
2-1/2"	3QGM	169	134	39 – 87	39 – 151
3"	3QGN	242	189	66 – 147	66 – 255
4"	3QGP	506	387	116 – 260	116 – 451
5"	3QGQ	680	566	165 – 372	165 – 645
6"	3QGR	900	782	272 – 624	272 – 1075
8"	3QGS	1800	1561	525 – 1180	525 – 2045
10"	3QGT	3900	3149	725 – 1610	725 – 2790
12"	3QGU	4930	4232	1249 – 2790	1249 – 4820
14"	3QGV	6800	5906	1548 – 3420	1548 – 5940
16"	3QGW	8900	7821	2490 – 5525	2490 – 9575
18"	3QGX	13000	11153	3305 – 7405	3305 – 12830

NOTES

¹ Higher PSI ratings are available. Contact factory.

² Butterfly valve is standard on QuickSet only.

³ Accuracy is based on Griswold's manufacturing tolerances. Accuracy for determining flowrate will be affected by the accuracy of the meter used to set the valve.

⁴ Cv's are used to calculate permanent pressure drop. $PSID=(Flow/Cv)^2$. Consult chart F-4439 for flow measurement.

Replaces form F-4089J

This specification © 2005 Griswold Controls

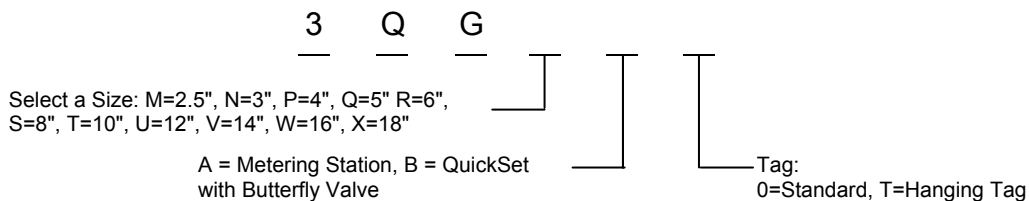
DIMENSIONS & WEIGHTS FOR METERING STATION (NOMINAL)

LINE SIZE	A	B	C	WEIGHT (LBS.)
2-1/2"	9.50	7.19	2.88	5.0
3"	10.00	7.50	3.50	6.9
4"	10.88	8.00	4.50	10.8
5"	12.63	8.53	5.56	16.9
6"	13.13	9.06	6.62	22.8
8"	16.50	10.06	8.62	42.8
10"	19.38	11.13	10.75	71.0
12"	21.63	12.13	12.75	103.8
14"	23.63	12.75	14.00	133.1
16"	26.50	13.75	16.00	158.7
18"	30.25	14.75	18.00	200.8

DIMENSIONS & WEIGHTS FOR QUICKSET (NOMINAL)

LINE SIZE	B	C	D	E	G	H	J	R HANDLE	WEIGHT (LBS.)	
									W/ HANDLE	W/GEAR WHEEL
2-1/2"	7.19	2.88	1.75	9.75	N/A	N/A	11.63	10.5	19.5	N/A
3"	7.50	3.50	1.75	10.25	N/A	N/A	12.13	10.5	23.1	N/A
4"	8.00	4.50	2.00	11.13	N/A	N/A	13.63	10.5	34.1	N/A
5"	8.53	5.56	2.13	12.88	N/A	N/A	14.63	10.5	44.3	N/A
6"	9.06	6.62	2.25	13.38	N/A	N/A	15.63	10.5	56.6	N/A
8"	10.06	8.62	2.38	16.75	9.5	12.0	18.88	N/A	N/A	103.8
10"	11.13	10.75	2.88	20.63	9.5	12.0	21.25	N/A	N/A	159.9
12"	12.13	12.75	3.00	23.25	9.5	12.0	24.63	N/A	N/A	232.8
14"	12.75	14.00	3.00	25.63	9.5	12.0	26.75	N/A	N/A	312.2
16"	13.75	16.00	4.00	29.00	15.0	16.0	30.00	N/A	N/A	400.0
18"	14.75	18.00	4.25	33.38	15.0	16.0	31.63	N/A	N/A	520.9

MODEL NUMBER SELECTION⁵



NOTES

⁵ Model no. and flow rate are indicated on label affixed to body.
Replaces form F-4089J

